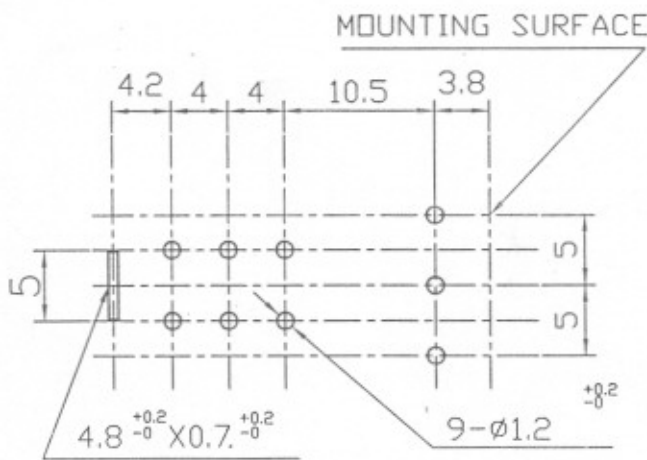
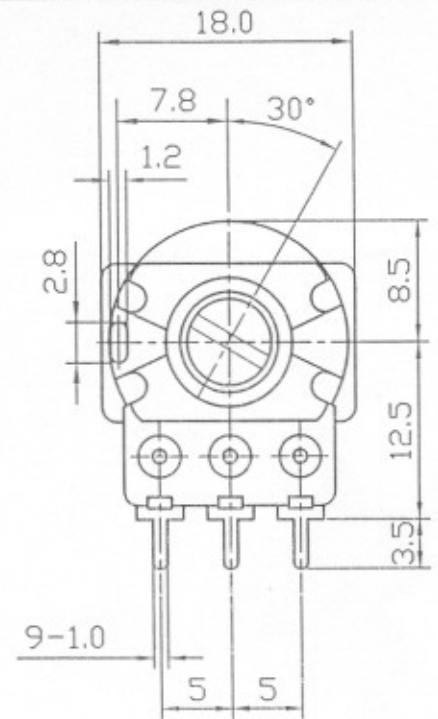
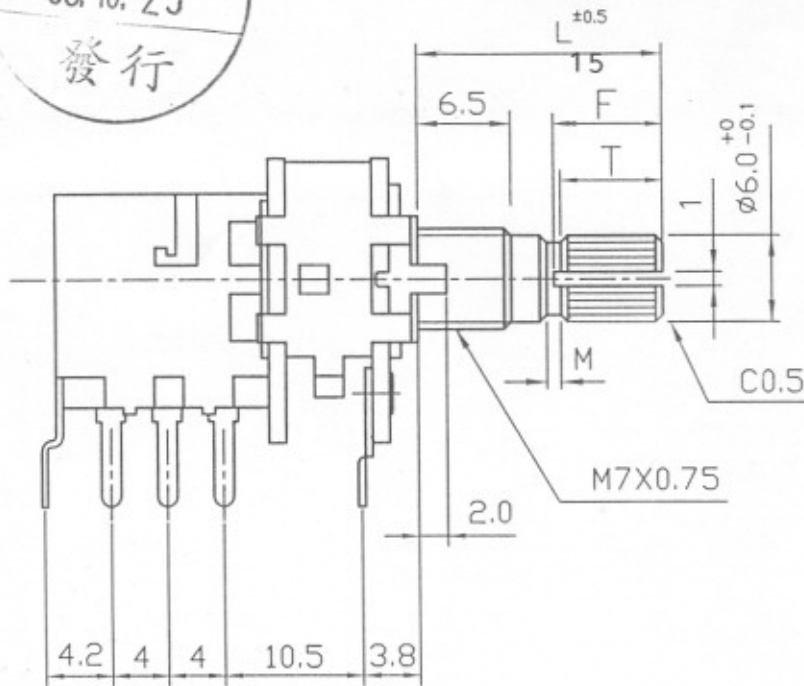


THIRD ANGLE PROJECTION

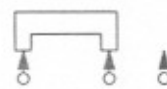


SHAFT SHOW IN  
FULL C.C.W. POSITION

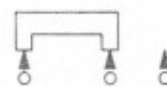


P.C.B. HOLE DETAIL

SCHEMATIC



SHOWN IN PUSH POSITION



SHAFT SIDE

ACCESSORY PARTS

HEXAGON NUT 1PCS. 10mmX2mm.

PLANE WASHER 1PG.φ12mm. t=0.4mm

SHAKEPROOF WASHER 1PC.

						RV16BF-20-(L)K-XXX		
NO.	DATE	DESCRIPTION		PART No.		NAME		NOTE
TOL. UNLESS OTHERWISE STATED		DIMENSION	SCALE	DRAWN BY	CHECKED BY	APPROVED BY	DRAWING NO.	
less than 10		±0.3	2:1	張月琴				
above 10 ~ 30		±0.5						
above 30 ~ 100		±1.0						
above		±5'						