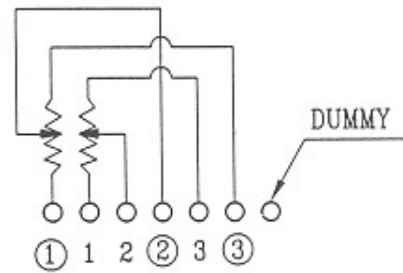
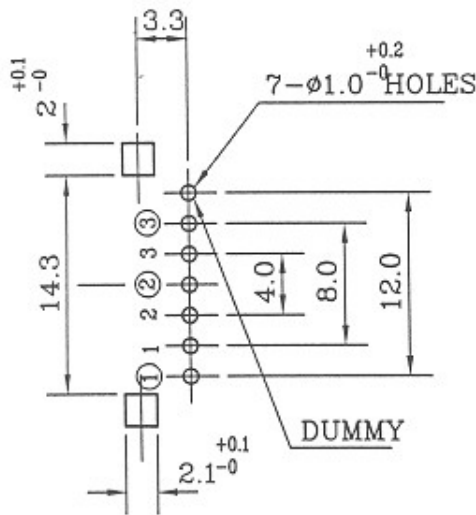
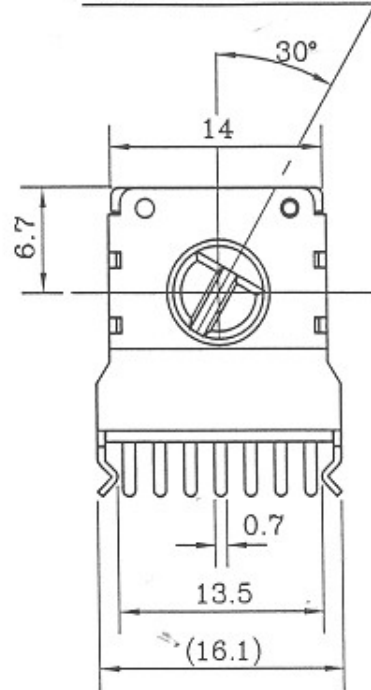
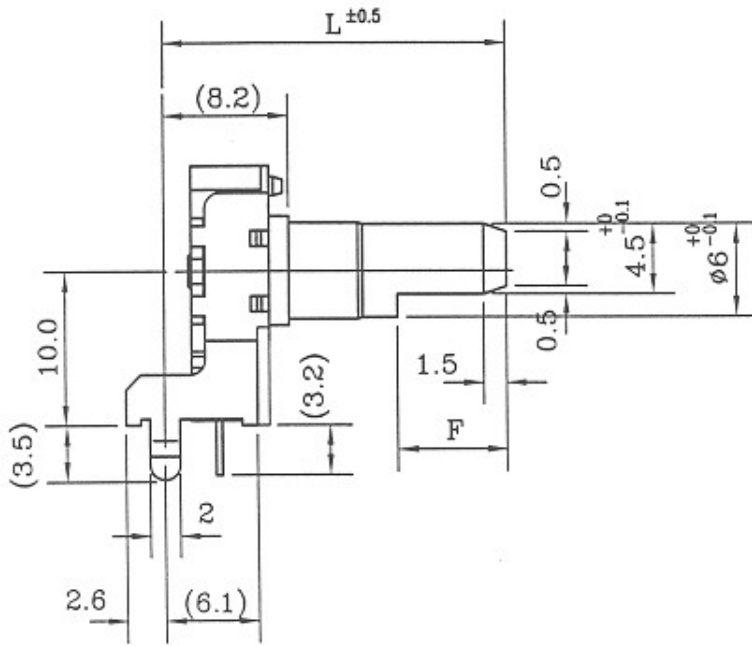




SHAFT SHOWN IN FULL C.C.W. POSITION



P.C.B. MOUNTING HOLE DETAIL VIEWED FROM MOUNTING SIDE

	375A	37.5	12
	325A	32.5	12
	30A	30	12
	275A	27.5	12
	25A	25	12
	25A	25	7
	225A	22.5	7
	20A	20	7
	15A	15	4.5
NOTE	A	L	F

RV142BF-20-(L)A-

NO.	DATE	DESCRIPTION	MODEL NAME				
TOL UNLESS OTHERWISE STATED		DIMENSION	SCALE	DRAWN BY	CHECKED BY	APPROVED BY	DRAWING NO.
less than 10		±0.3	2 : 1	陳 93.9.17 立文	<i>[Signature]</i>	王 93.9.17 茂松	
above 10 ~ 30		±0.5					
above 30 ~ 100		±1.0					
above		±0°					