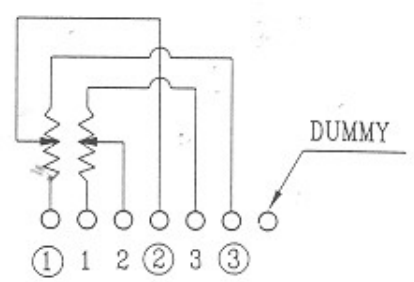
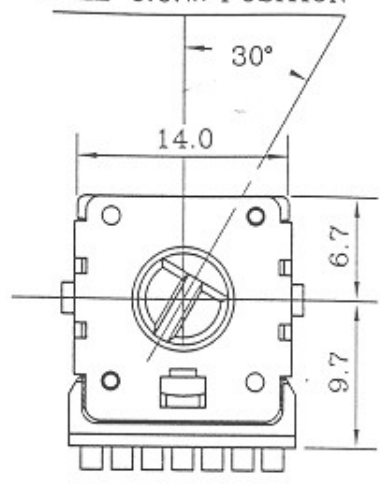
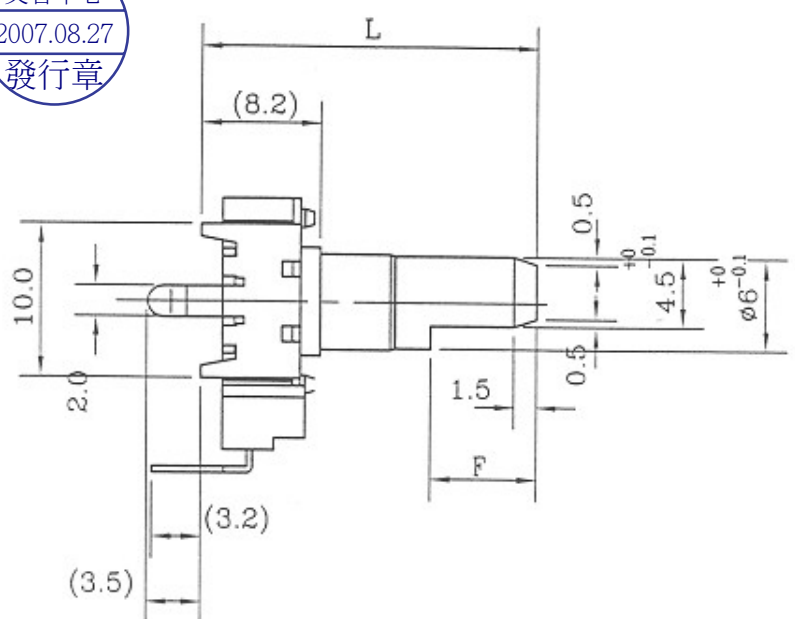
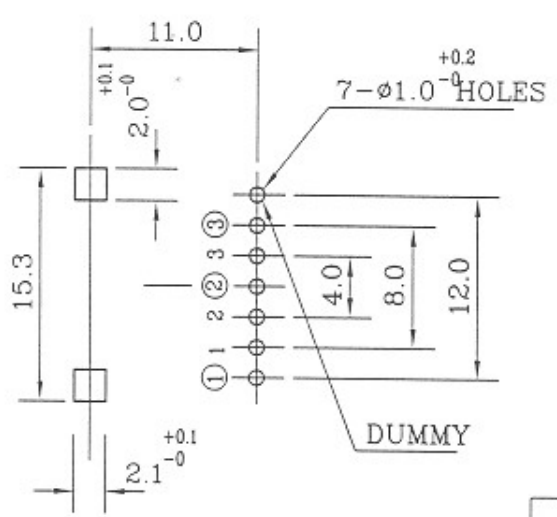


文管中心
2007.08.27
發行章

SHAFT SHOWN IN FULL C.C.W. POSITION



R1: 1, 2, 3
R2: ①, ②, ③





P.C.B. MOUNTING HOLE DETAIL VIEWED FROM MOUNTING SIDE

	R1	R2
C/A14	15C10K	15A10K
T/F14	30C10K	30A10K
N/M14	N10K	M10K
C/A24	15C20K	15A20K

	375A	37.5	12
	325A	32.5	12
	30A	30	12
	275A	27.5	12
	25A	25	12
	25A	25	12
	225A	22.5	7
	20A	20	7
	15A	15	7
NOTE	A	L	F

RV142BF-40-(L)A- (0C)

NO.	DATE	DESCRIPTION	MODEL NAME			
			DRAWN BY	CHECKED BY	APPROVED BY	DRAWING NO.
TOL. UNLESS OTHERWISE STATED		DIMENSION	SCALE			
less than	10	±0.3	mm	2/1	 34.2.14 王松	 94.2.14 吳鋒
above	10 ~ 30	±0.5				
above	30 ~ 100	±1.0				
above		±5*				