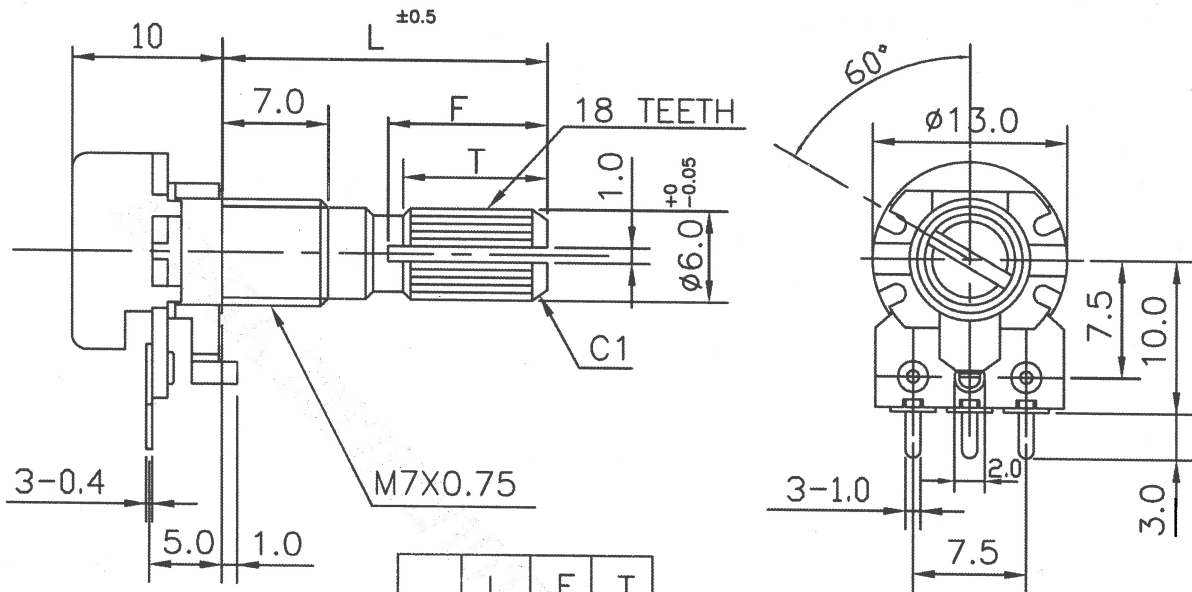
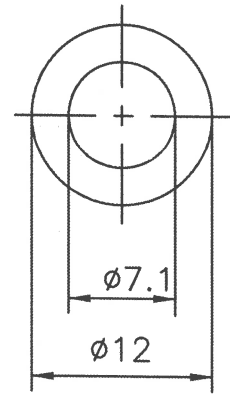
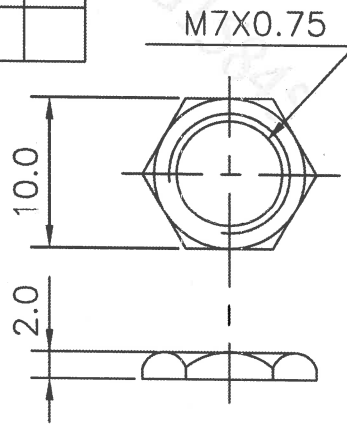
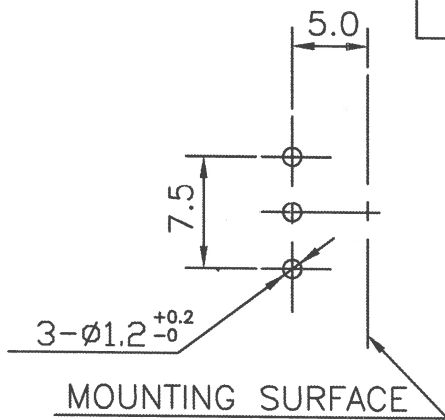


SHAFT SHOWN IN FULL C.C.W. POSITION



	L	F	T
✓	12	4	3.5
✓	15	7	6
	20	10	8
	25	14	12



P.C.B. MOUNTING HOLE DETAIL

NUT 1PC

WASHER 1PC

RV120F-20-(L)K-XXX

No.	DATE	DESCRIPTION	PART No.	NAME			
TOL.UNLESS OTHERWISE STATED		DIMENSION	SCALE	DRAWN BY	CHECKED BY	APPROVED BY	DRAWING No.
less than	10	±0.3	2:1	 吳 97.6.4 宜芬	 王 2008.6.04 茂松	 楊 2008.6.4 孟鑫	
above	10~30	±0.5					
above	30~100	±1.0					
above		±5'					