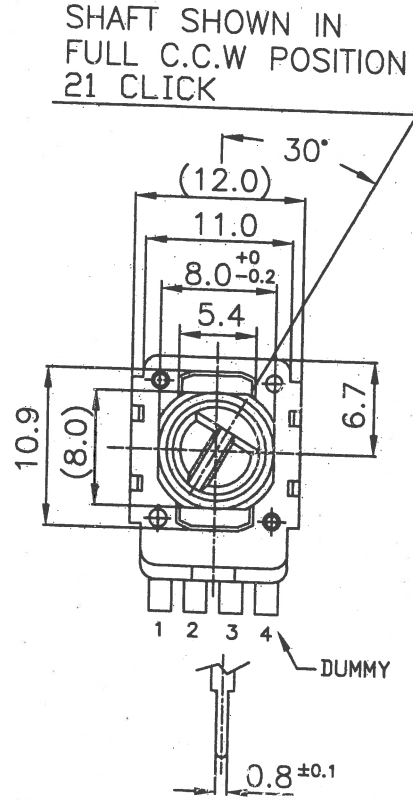
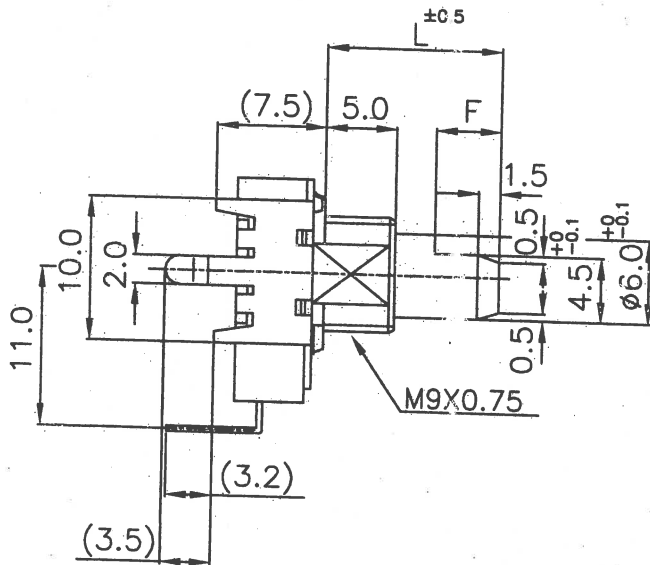
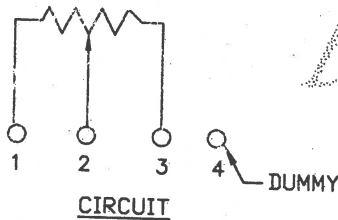


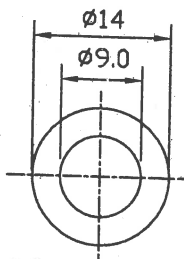
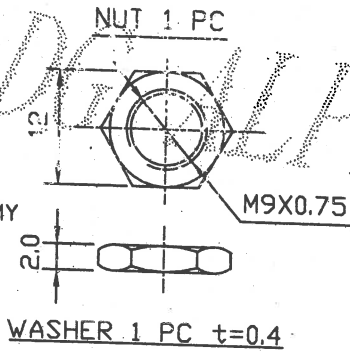
文管中心  
2016.06.03  
發行章



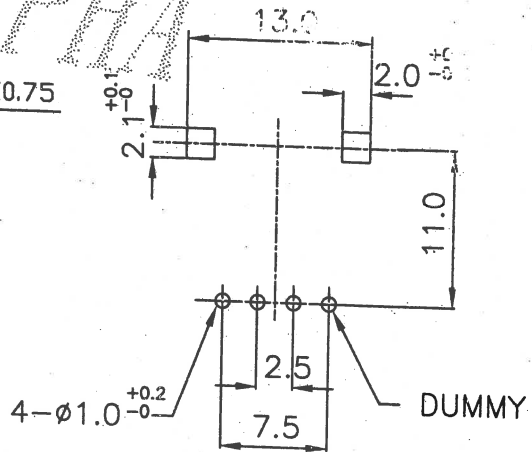
● 300° ROTATION MONO UNIT



	29A	29	12
	30A	30	12
	28A	28	12
	275A	27.5	12
✓	25A	25	12
	225A	22.5	12
	20A	20	12
	175A	17.5	12
	175A	17.5	7
	15A	15	7
	125A	12.5	7
NOTE	A	L	F



TERMINAL DETAIL



P.C.B. MOUNTING HOLE DETAIL

2016-06-07  
收文  
(-00B4)

RY110F-40E1-(L)A-XXX(-OX)(-AC)(-A)(-00A3)

No.	DATE	DESCRIPTION	MODEL NAME			
TOL. UNLESS OTHERWISE STATED	DIMENSION	SCALE	DRAWN BY	CHECKED BY	APPROVED BY	DRAWING No.
less than 10	±0.3		楊		潘	
above 10~30	±0.5		2016.5.30		2016.5.30	
above 30~100	±1.0	2/1	兆聰		坤	
above	±5					